

BLAC-RAC

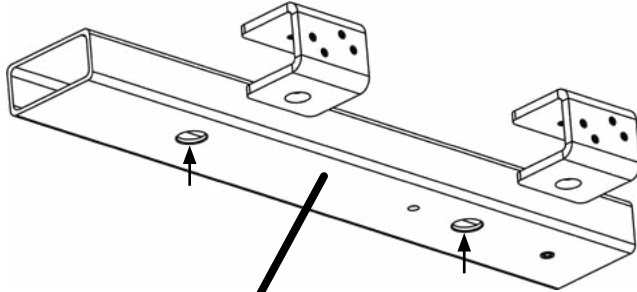
WEAPON RETENTION SYSTEMS

Installation of JK Bar Mount on back Rectangle Sport Tube

Tools Required:

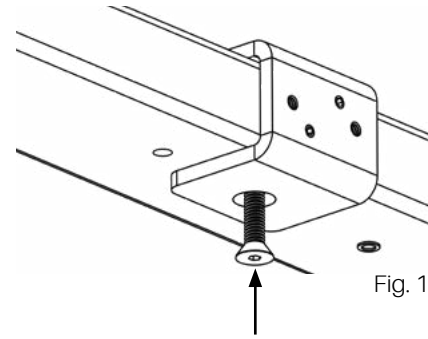
1/8" and 3/16" Hex Wrench

Removal of Sport Bar Cover or Speaker Box may be necessary to expose mounting holes. Mounting locations are shown below

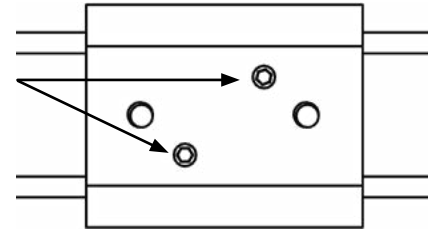


After deciding your best mounting location, slide the JL Mount over the tube keeping the counter-sunk hole facing downwards.

Insert the 5/16-18 x 2" Flat Head Bolt through the counter-sunk hole and into the tube as shown in Fig. 1. Thread this bolt into the other side of the mount using a 3/16" Hex Wrench until relatively snug. **Do not fully tighten.**



Using a 1/8" Hex Wrench tighten down the outside 1/4-20 x 5/16" Set Screws evenly as show in Fig. 2. These are to ensure the mount sits parallel to the tube and to resist rotation. Snug screws until both engage metal. **Do not overtighten.**



Referring back to Fig. 1 tighten the 5/16-18 x 2" Bolt to 7 - 11 foot lbs.

Fig. 3 shows the two exposed holes on the front face where the attachment point is for the yoke. Refer to section 5 of your manual to finish installation.

